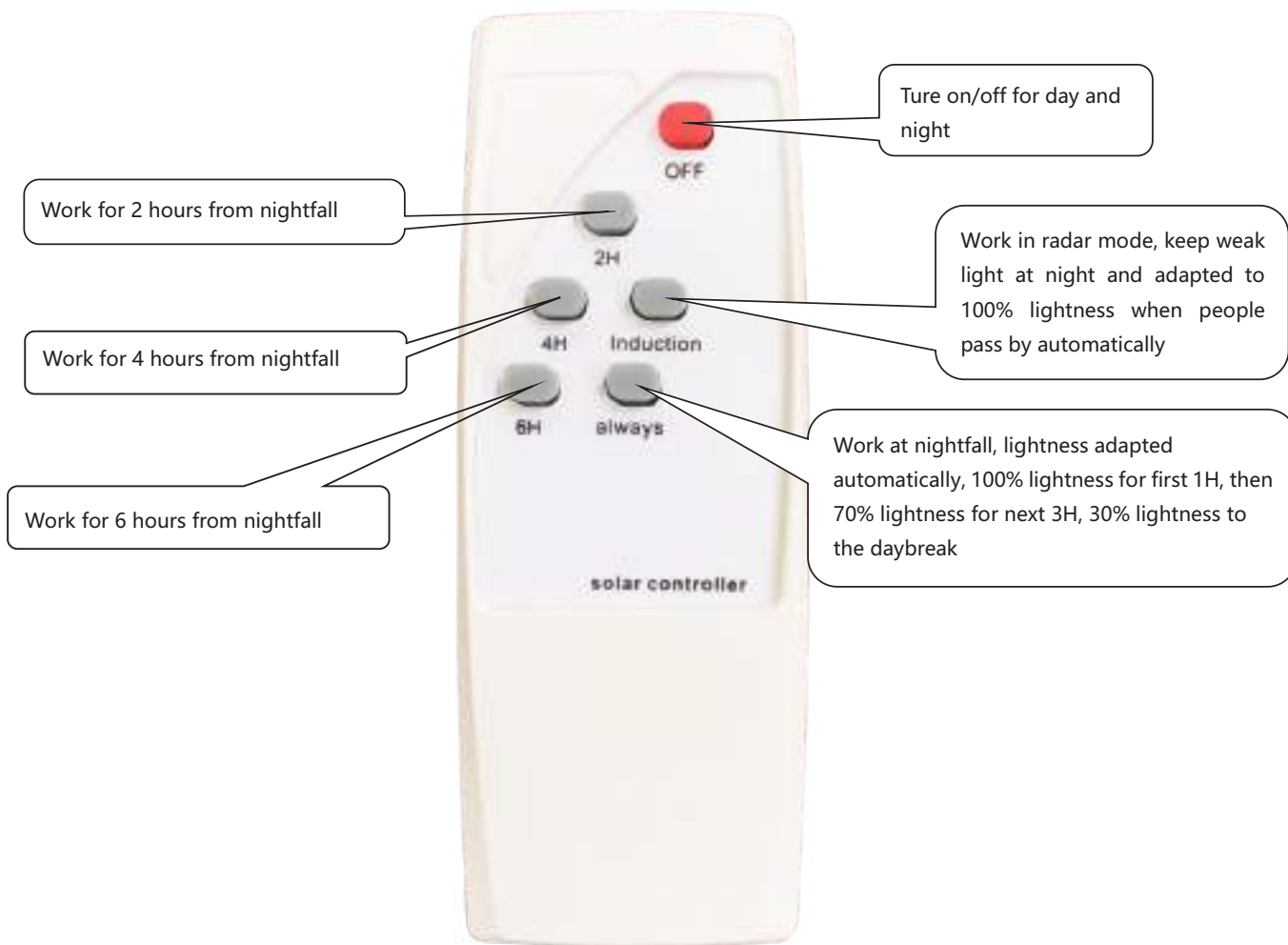


WPGR Series

Radar Remote Control use for Solar energy wall pack

1. Remote Control Mode : InfraredRaySignal
2. Induction Distance :12meters



PACKAGING

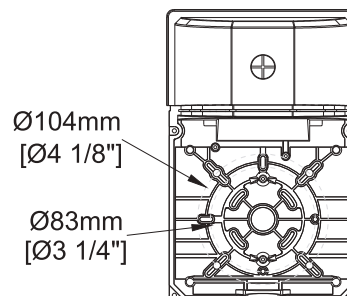
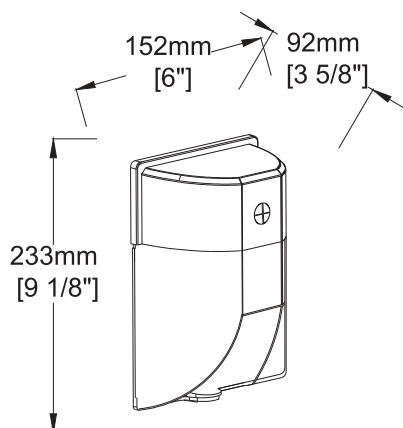
Model No.	Qty (pcs)	L*W*H (CM)	NW. (kgs)	G.W. (kgs)	Meas. (CBM)
			Per CTN	Per CTN	Per CTN
KLWPGR040	1	39.5*28*24.5cm	3.26	3.84	0.027097
KLWPGR060	1	39.5*28*24.5cm	3.32	3.9	0.027097
KLWPGR090	1	39.5*28*24.5cm	3.67	4.25	0.027097
KLWPGR120	1	39.5*28*24.5cm	4.1	4.64	0.027097

WPMN Series

The WPMN mini LED wall pack is a versatile and durable outdoor luminaire. The 120V built-in photocell automatically turns the light on at dusk and off at dawn for convenience and energy savings. Consume 15/25 watts and replace existing 100 watt traditional metal halide wall packs for more energy and cost savings. Switch to LED wall packs for less costs and more energy savings and longer rate life for outdoor commercial applications, such as general site lighting, landscape, alleys, doorways, loading docks and parking areas.



DIMENSION:(mm/in)



WPMN Series

CONSTRUCTION

- Heavy duty die-cast aluminum housing, fully sealed to be dirt and bug proof
- Clear polycarbonate lens
- 100-270VAC built-in photocell
- Integral secondary heat sink to optimize thermal transfer and maximize performance and life of LED
- Driver is mounted in direct contact with the casting for a low operating temperature and long life
- Polyester powder-coated finish, rust and corrosion proof
- Stabilized to extreme climate changes without cracking or peeling
- Brown (other finishings are available)

APPLICATIONS

- Wet areas
- Outside walkways
- Farm buildings
(Non-corrosive atmosphere)
- Garages
- Building lighting
- Doorways
- Alleys
- Parking areas

FEATURES

- ETL/cETL listed for wet and outdoor locations
- 105 lumens per watt
- 100-277VAC input voltage
- Photocell Sensor is standard



Entryway lighting



Garages lighting



Doorways lighting



Outside walkways

PRODUCT DETAILS



UV resistance Cover no discoloration



Built-in photocell sensor.



Fully compatible with traditional surface mounting with J-BOX

WPMN Series

TECHNICAL SPECIFICATION

- Input Voltage : 100-277VAC
- Driver Type : UL High performance LED drive.
- Power factor : >0.9, THD <15 %
- Luminous Efficacy : up to 105lm/w
- Colour Rendering Index : > 70Ra
- LED Type : High performance LM80 SMD3030 LED
- Operating Temperature : -30°C up to 50°C(-22°F up to 122°F)
- Color Temperature : 3000K/4000K/5000K
- Material : Aluminum Housing & Polycarbonate Refractor
- Ingress Protection : IP65
- Impact Rating : IK08
- Rated Life : 50,000 hours
- Warranty : 5 years

Models

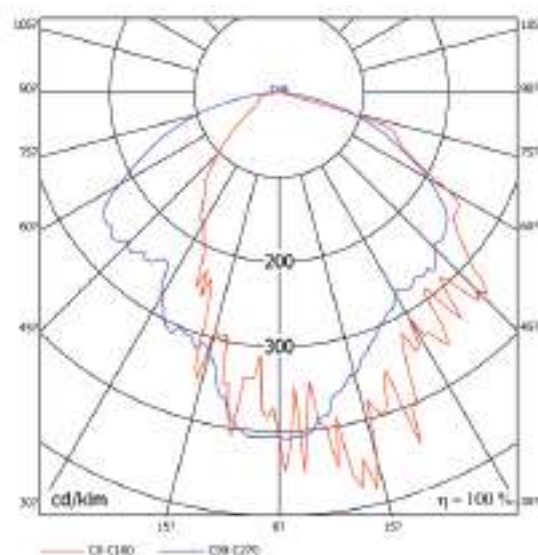
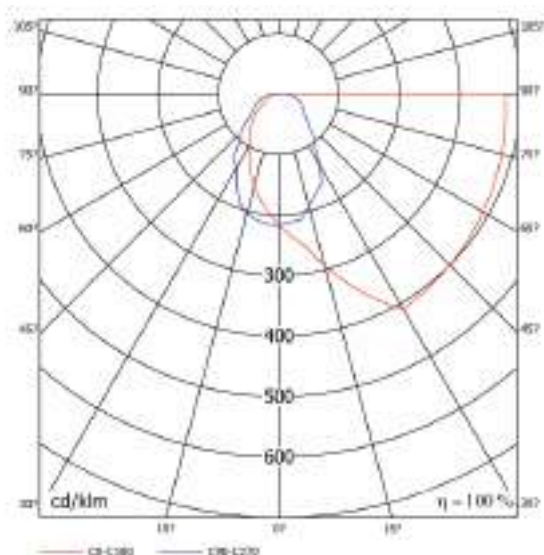
For example (KLWPMN015-30K)

Family	Wattage	Separator	CCT
KLWPMN: KILI-LED Mini LED Wall pack (100-277VAC)	015:15W	-	30K:3000K
	025:25W		40K:4000K
			50K:5000K

Produce Code	KLWPMN015-XXX	KLWPMN025-XXX
Power Consumption(W)	15W	25W
Lumens Delivered (lm)	1600lm	2650lm
Efficacy (lm/W)	105lm/w	105lm/w
CRI	>70	>70
Input Voltage	100-277VAC	100-277VAC
Power Factor	0.98at 100VAC 0.90at 277VAC	0.98at 100VAC 0.90at 277VAC
Housing	Die-cast aluminum body(Bronze). PC diffuse	Die-cast aluminum body(Bronze). PC diffuse
Installation	Recessed outlet box or wall surface	Recessed outlet box or wall surface
Operating Temperature	-30°C up to 50°C (-22°F up to 122°F)	-30°C up to 50°C (-22°F up to 122°F)
Certification	ETL/cETL	ETL/cETL

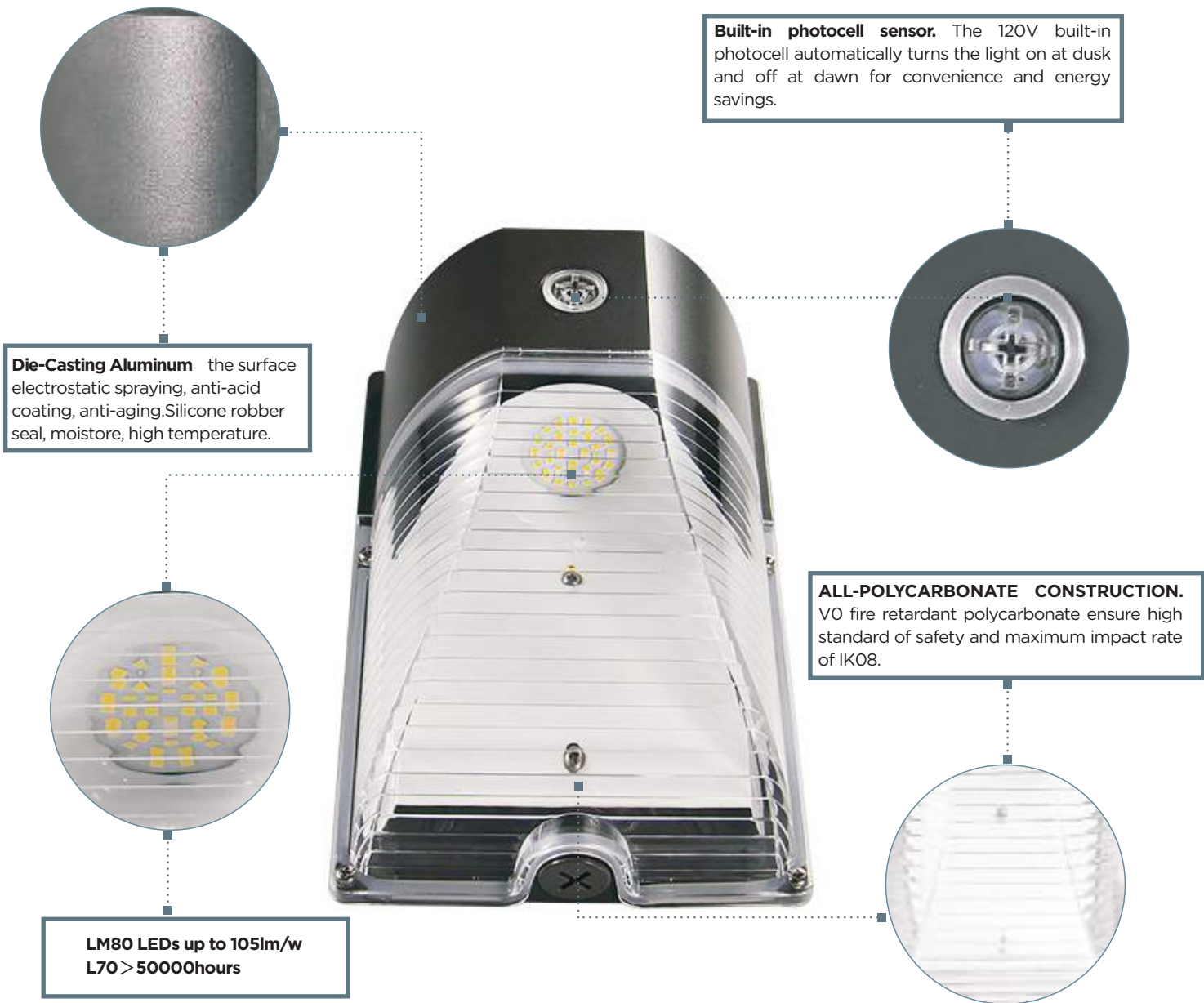
LUMINAIRE PHOTOMETRIC

Luminous Intensity Distribution Diagram:



WPMN Series

Wall pack lights sales champion,
quality is better than peers.



Fixtures and electrical components are UL certified to USA and Canada standards; also CE and RoHS listed for Europe market.

- IP65 rated and suitable for wet locations
- LM79 and Lm80
- 5 years warranty is standard on WPMN.

WPMN Series

PACKAGING

Model No.	Qty (pcs)	L*W*H (CM)	NW. (kgs)	G.W. (kgs)	Meas. (CBM)
			Per CTN	Per CTN	Per CTN
KLWPMN015	10	58*35*27CM	10.2	12.23	0.07
KLWPMN025	10	58*35*27CM	10.2	12.23	0.07